

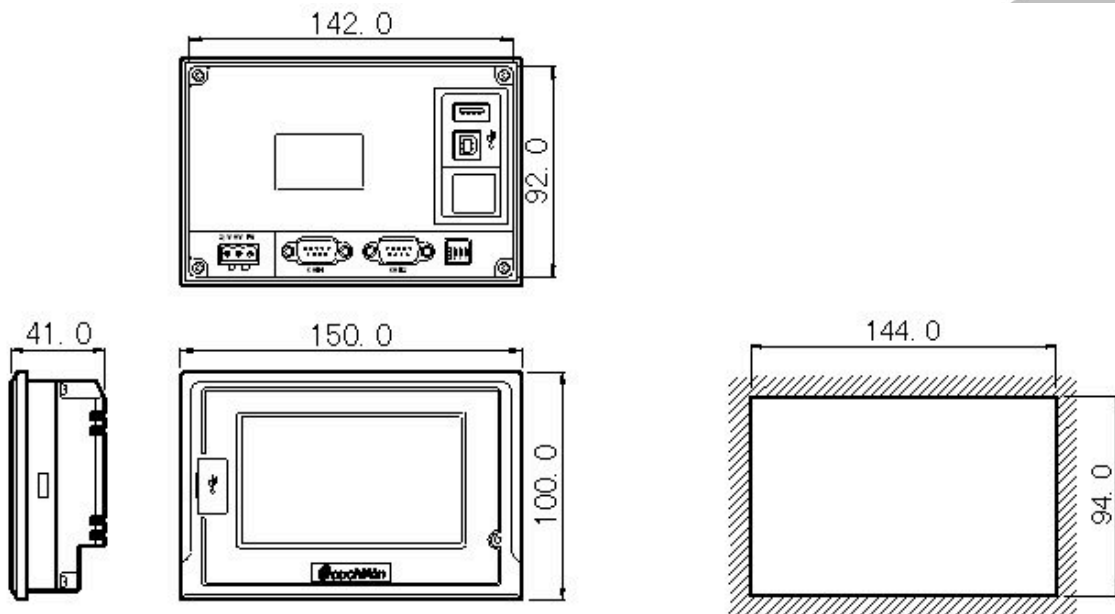


Touch Panel HV-TP4”

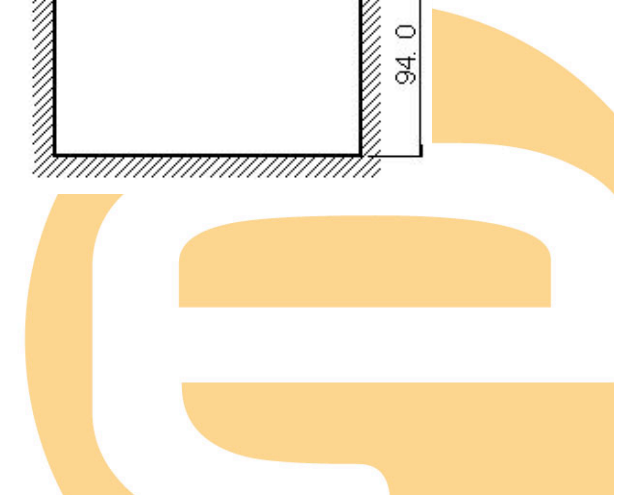
Descriptions:

- 4.3 inch touch screen, streamline design.
- 65536 true colors display, support BMP, JPEG format Pictures.
- Rich 3D picture library can make the screen more vividly.
- Flexible component selection space, self-defined animation track design.
- Simple switch setting for changing the modes, precise touch area adjust function.
- Self-defined data collection and save function.
- Support various data process modes, such as time trend map, XY trend map...
- 3 USB ports can realize data duplication and transferring.
- Two com ports can communication independently and realize multi-HV-TP communicate with one PLC.

PRODUCTS STANDARS



HighValue^e



1. General Specifications.

	Item	HV-TP4
Electrical	Input voltage	DC20-DC28V
	Consumption current	130mA
	Momentary power off allowance	< 10ms
	Withstand voltage	AC1000V-10mA 1 minute (signal and time)
	Insulated impedance	DC500V-about 10MΩ (signal and time)
Interface	COM1	Support RS-232/RS-485
	COM2	Support RS-232/RS422/RS485
	USB1	USB-A (accord with USB2.0)
	USB2	USB-A (accord with USB2.0)
	USB3	USB-B (accordance with USB2.0)
Ambience	Operation temperature	0 - 50°C
	Reserve temperature	-20-60°C
	Humidity	20-85% (without condensation)
	Withstand oscillation	10-25HZ (X, Y, Z each direction 30 minutes 2G)
	Anti-jamming	Voltage noise: 1000Vp-p、 pulse width1us, 1 minute
	Surrounding air	No corrosive gas
	Protect construction	Accord with IP65
Screen	Type	65536 true colors
	Screen size	4.3 inch
	Use life	>50000 hours, 24 hours running when surrounding temperature is 25°C
	Resolution	480*272 pixels
	Contrast	Non-adjustable
	Character setting	Chinese, English, Japanese, Korean and so on
	Character size	Any font and size
	Touch panel	4-wire resistor touch mode
Memory	Screen	8MB
Construction	Cooling mode	Natural air cooling
	Exterior dimension	150.0*100.0*41.0mm
	Mounting dimension	144.0*94.0mm